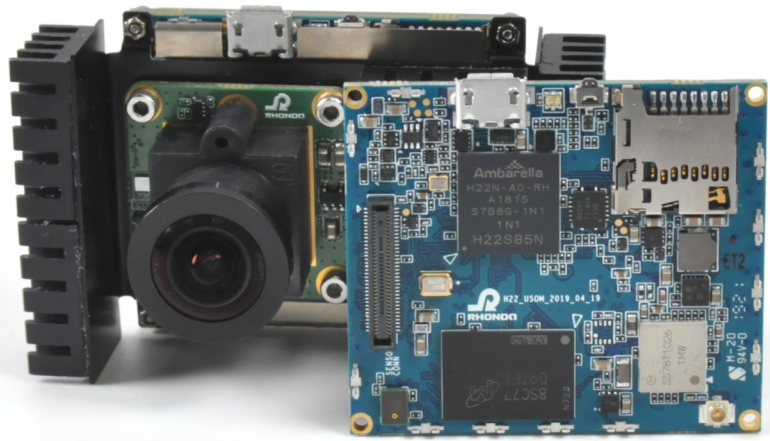




# H22 SoM Evaluation KIT

4K60 camera  
module

- The extremely energy-efficient way to obtain honest 4K60
- Based on Rhonda H22 System on a Module
- High-efficiency video encoding
- Ultra compact
- Rhonda cinema-grade image quality
- Premier platform for evaluation and prototyping
- Off-the-shelf Wi-Fi and UVC video streaming
- Free demo Mobile App
- Available in a single-piece volumes

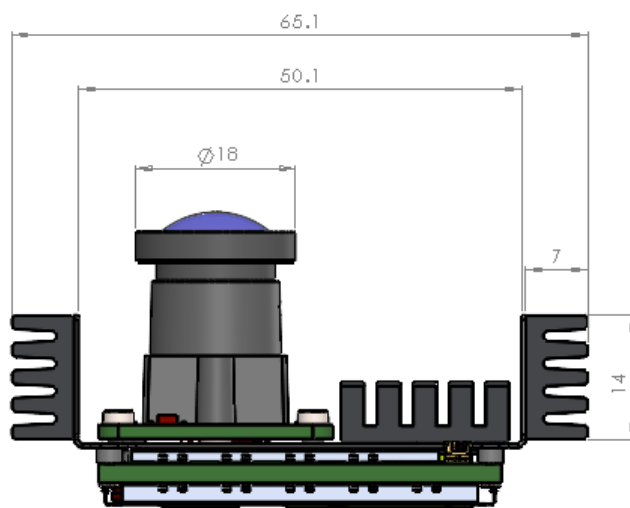
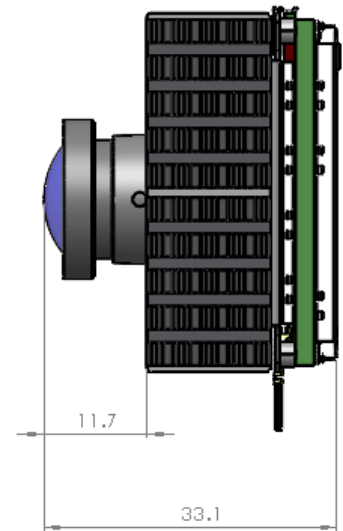
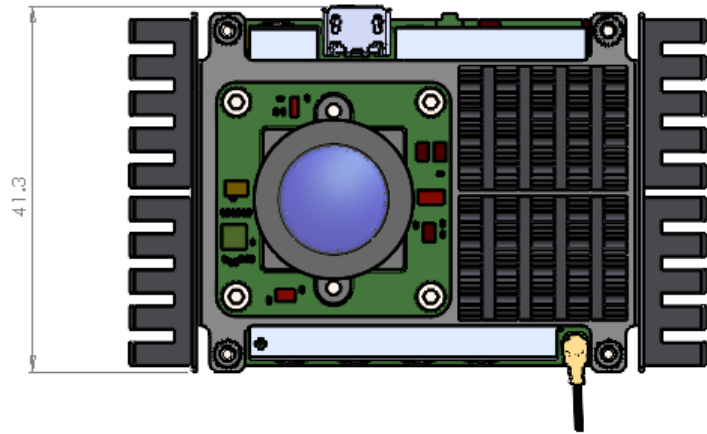


H22 System On Module (H22 SoM) is a low-power, ready-to-integrate and ready-to-production hardware platform for consumer and professional imaging products. Meeting the demands of enthusiasts and professionals all over the world we created the ultra compact **H22 SoM Evaluation KIT**, enabling an industry-leading combination of low power and high performance.

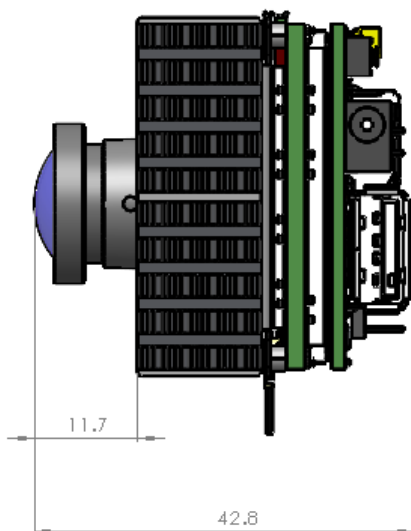
H22 SoM EVK supplies complete with:

- **H22 SoM main board:**
  - Ambarella® H22S85N™ SoC
  - H264/H265 encoding
  - 8Gb LPDDR4 DRAM
  - 2Gb internal NAND storage
  - Wi-Fi (802.11a/b/g/n/ac)
- **Sony® Exmor R™ IMX 377 image sensor**
  - 12Mpx (Type 1/2.3")
  - Fine-tuned image quality
- **Sunny Optical SYD1201 lens**
  - ~120° HFOV in 4K video
  - 23 mm (length) x 18 mm (diameter)
  - Plastic/metal/glass
- Custom or off-the-shelf carrier board
- Full-metal heat sink
- USB Type-A cable
- Flexible antenna
- **Android app**
  - Streaming over Wi-Fi
  - Video storage
- Button-operated still and video capture
- LED light
- Digital microphone
- Preset configuration file on SD card
- Control protocol for external MCU via UART

# H22 EVK dimensions



## Dimensions with carrier board



### The reference carrier board features:

- *HDMI® out connector*
- *USB Type-A connector and Device/Host switch*
- *5V DC-in connector*
- *UART connector pins*
- *CVBS out connector*
- *Service buttons*
- *Test pads for extra interfaces: I2C, SPI, GPIO, ADC, DAC, PWM*